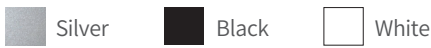
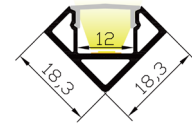
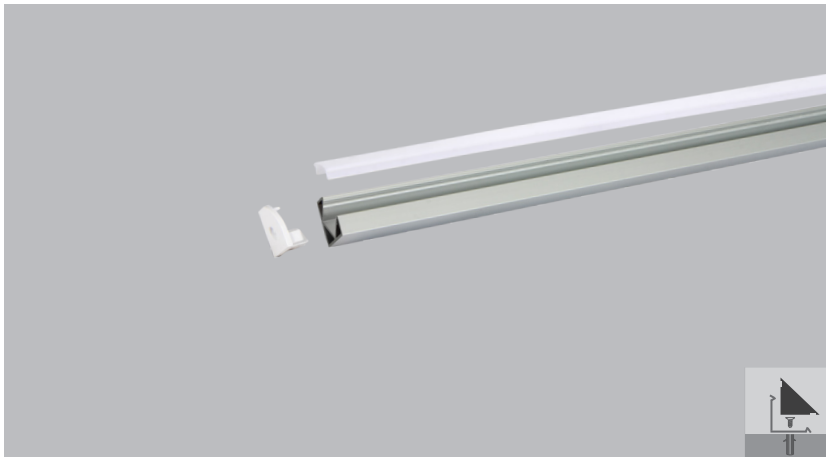


XT1919F

X-TRUSION



Material: AL6063-T5
Surface: Anodized/ Painting
PC cover: Diffuser/Transparent/Opal
Lighting source width: 12 mm
Available lengths: 0.5-3m
Application: Commercial lighting / Indoor lighting
Decorative design

COVER



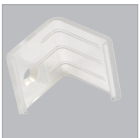
Trans :17072
Opal: 17073
Diffuser :17074

END CAP



Hole:1919F8
W/O hole:1919F9

CLIP



1919F02

