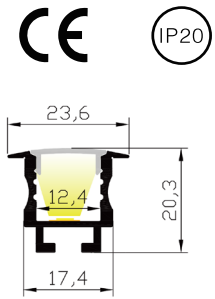
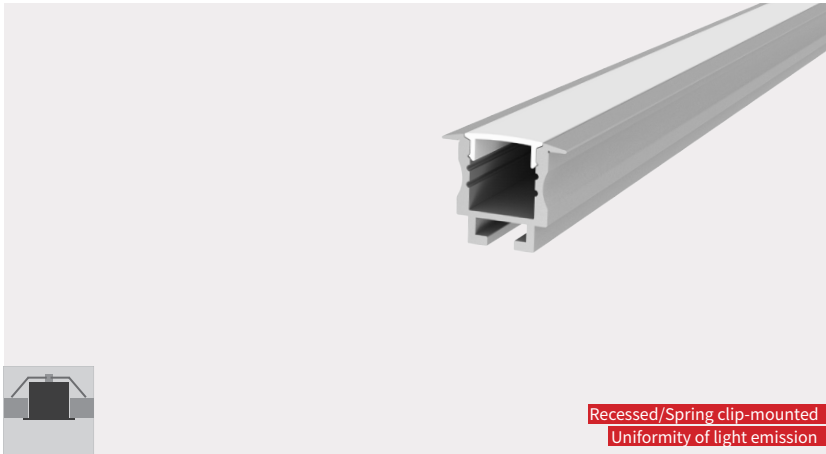


XT2520

X-TRUSION



- Material:** AL6063-T5
Surface: Anodized/ Painting
PC cover: Diffuser/Transparent/Opal
Lighting source width: 12 mm
Available lengths: 0.5-3m
Application: Commercial lighting / Indoor lighting
Decorative design

COVER



Trans :17072
Opal: 17073
Diffuser:17074

END CAP



Hole:25208
W/O hole:25209

CLIP



25205

