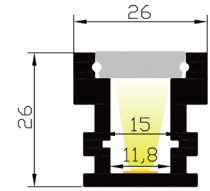
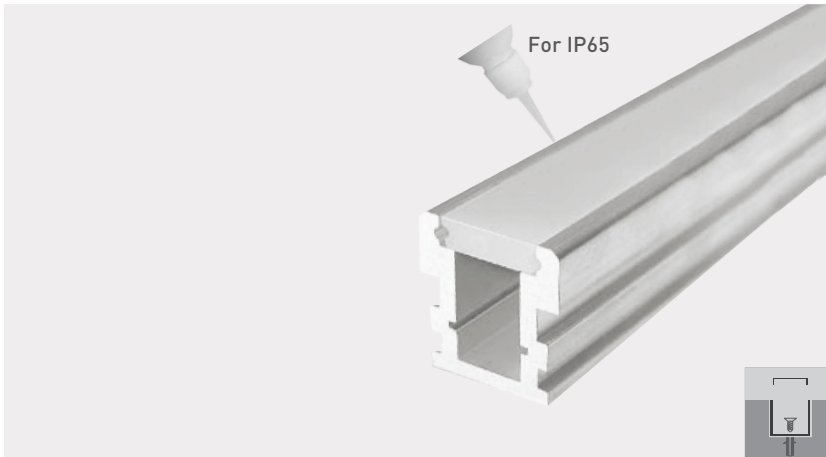


# XT2626

# X-TRUSION



- Material: AL6063-T5
- Surface: Anodized/ Painting
- PC cover: Diffuser/Transparent
- Lighting source width: 11 mm
- Available lengths: 0.5-3m
- Application: Commercial lighting / Indoor lighting  
Decorative design

## COVER



Trans :26262  
Diffuser :26264

## END CAP



Hole:26268  
W/O hole:26269

