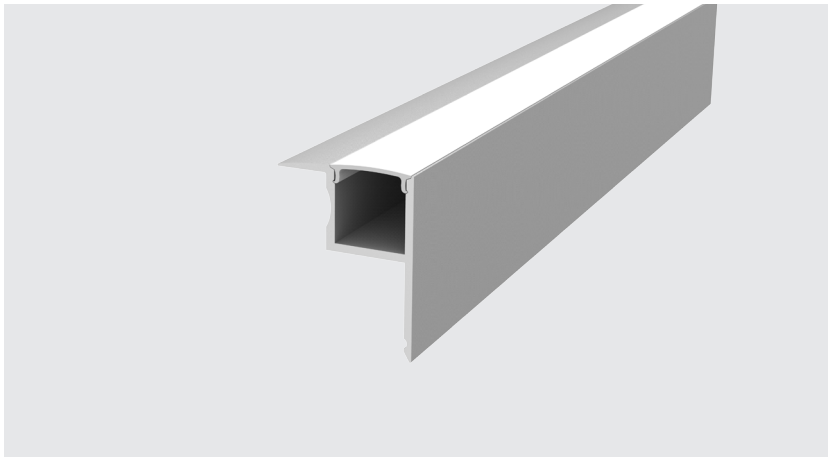
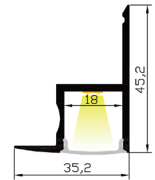




# XT4538

# X-TRUSION



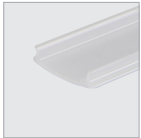
CE IP20



 Silver     Black     White

**Material:** AL6063-T5  
**Surface:** Anodized/ Painting  
**PC cover:** Diffuser/Transparent/Opal  
**Lighting source width:** 18 mm  
**Available lengths:** 0.5-3m  
**Application:** Commercial lighting / Indoor lighting  
Decorative design

## COVER



Trans :45382  
Opal: 45383  
Diffuser:45384

## END CAP



Hole:45388  
W/O hole:45389

