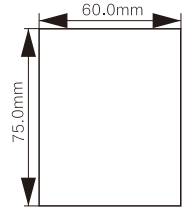
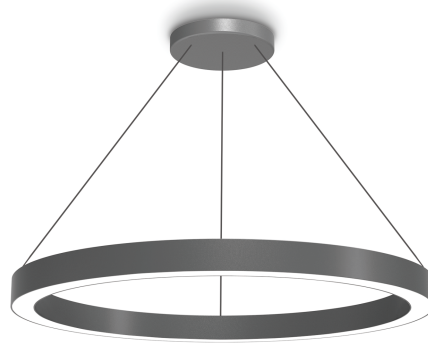


Model : **XT-ART-01**



Description

- 1.LED long-lasting light source
- 2.Smart sensor control
- 3.Any arc
- 4.Any shaped(round, "S" shape、 wave shape)
- 5.Omnidirectional personalized customization art lighting
- 6.Suitable for office, commercial,household lighting



Application



Product Information

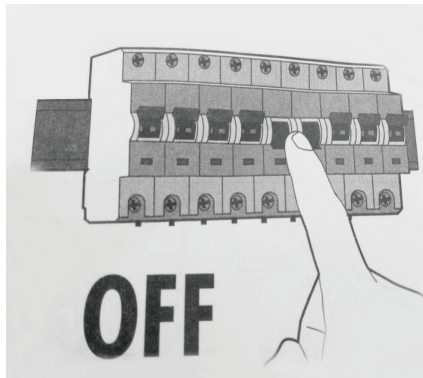
Size/m	Power/W	Lumens/lm	Electrical parameter	Optical parameter	Structure parameter
Ø1.0	90	6300	Input: AC 100-264V	CCT:3000K/4000K	Length tolerance : ±5%
Ø1.2	108	7560	Frequency :50/60HZ	CRI :>80. >90	Section :60x75mm
Ø1.5	135	9450	Efficiency : >85%	Beam angle : 110°	Color : silver/black/white
Ø2.0	180	12600	Power Factor : PF>0.9	Efficacy : 100lm/W	Housing Mat'l:PC/silicone opal flat diffuser, Aluminum housing
			Flicker: NO	SDCM≤6 (Overall)	Working Temp : -20-45°C
			Power certificate : CE,UL,SAA	Life time(L80 B10@25°C) : 50,000hs	Warranty :3Years
			IP Rating :Ip20	IK Rating : Ik05	Dimming :YES/NO (Optional)
				Protection class : class I	

XT-ART-01

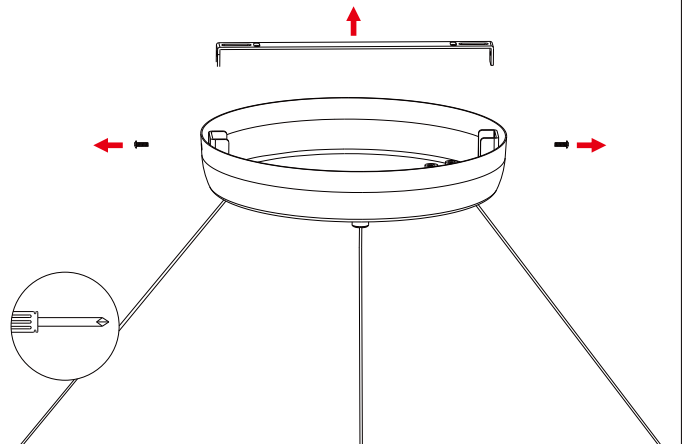


Installation

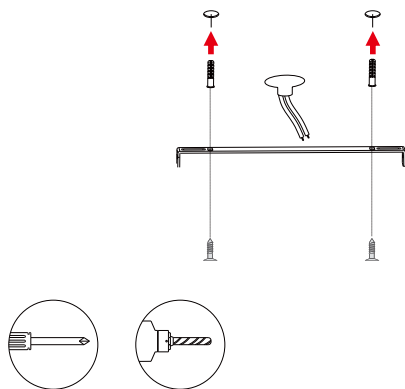
- ① Break off the air switch



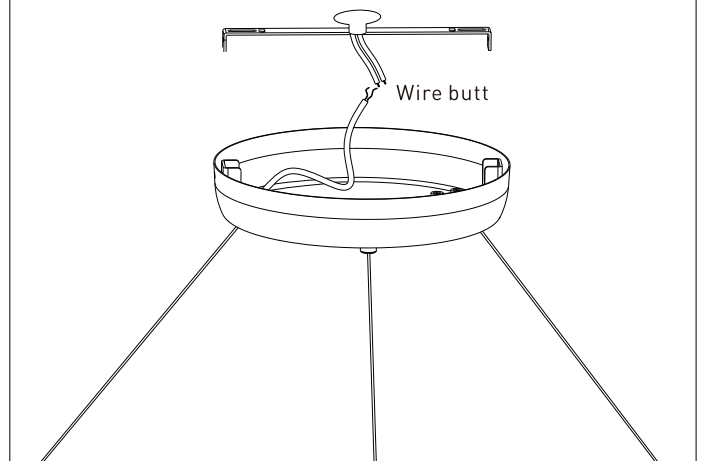
- ② Remove the ceiling panel



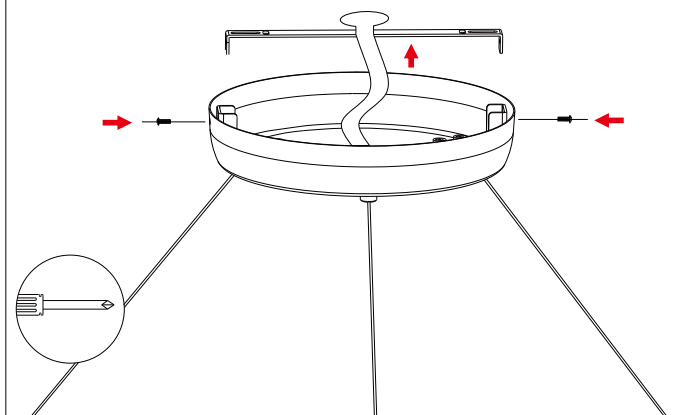
- ③ Drilling holes in the ceiling, fixing the plug, fixing the plate



- ④ The power input line links high voltage line, The contact is wrapped in an insulating tape, (Operate without power)



- ⑤ Suction top and hanging panel links



- ⑥ Put through power supply

