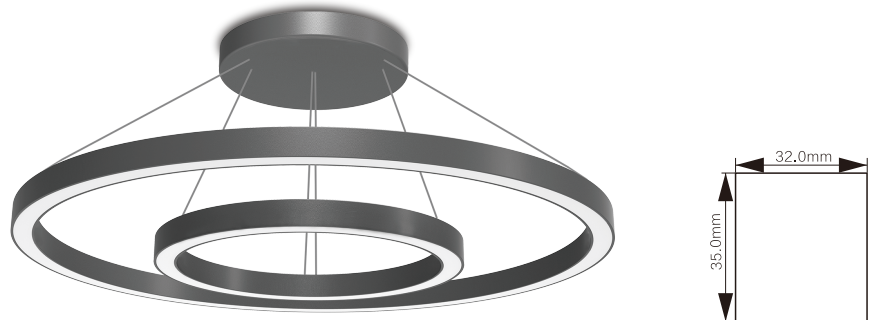


## Description

- 1.LED long-lasting light source
- 2.Smart sensor control
- 3.Any arc
- 4.Any shaped(round, "S" shape、 wave shape)
- 5.Omnidirectional personalized customization art lighting
- 6.Suitable for office, commercial,household lighting



## Application



## Product Information

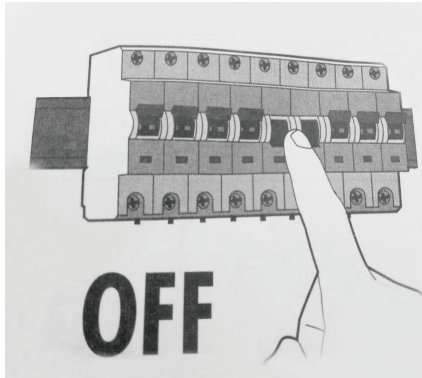
Size/m	Power/W	Lumens/lm	Electrical parameter	Optical parameter	Structure parameter
Ø0.5	23	1610	Input: AC 100-264V	CCT: 3000K/4000K	Length tolerance : ±5%
			Frequency: 50/60HZ	CRI: >80、 >90	Section: 32x35mm
Ø1.0	45	3150	Efficiency: >85%	Beam angle: 110°	Color: silver/black/white
			Power Factor: PF>0.9	Efficacy: 100lm/W	Housing Mat'l: PC/silicone opal flat diffuser, Aluminum housing
			Flicker: NO	SDCM≤6 ( Overall)	Working Temp : -20-45°C
			Power certificate : CE, UL, SAA	Life time(L80 B10@25°C ) : 50,000hs	Warranty : 3Years
			IP Rating : Ip20	IK Rating: Ik05	Dimming: YES/NO ( Optional )
				Protection class: class I	

# XT-ART-03

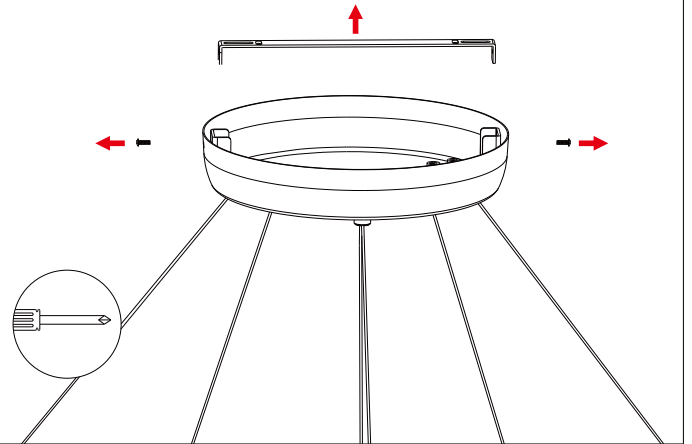


## Installation

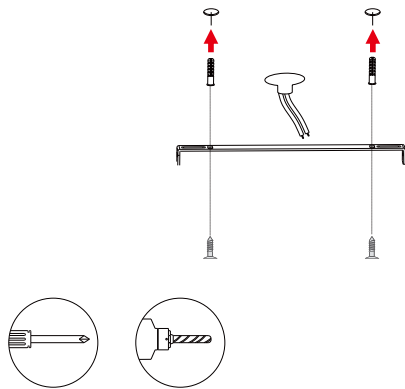
- ① Break off the air switch



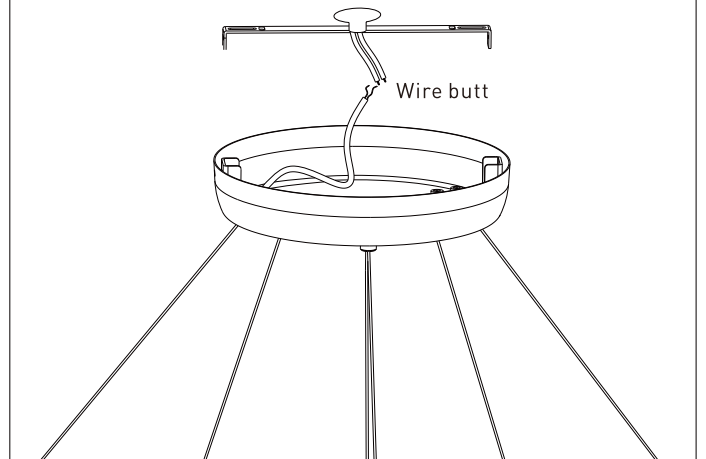
- ② Remove the ceiling panel



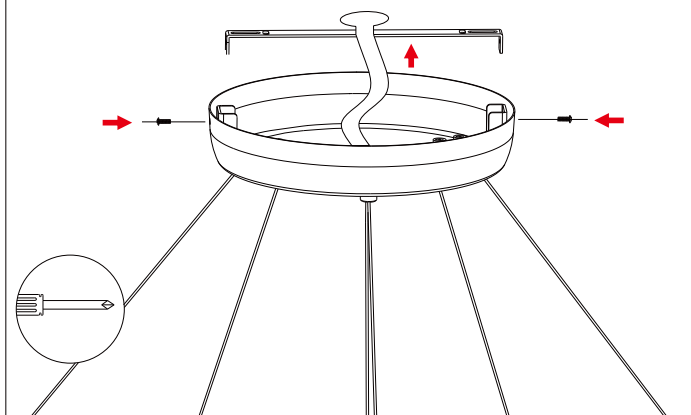
- ③ Drilling holes in the ceiling, fixing the plug, fixing the plate



- ④ The power input line links high voltage line, The contact is wrapped in an insulating tape, (Operate without power)



- ⑤ Suction top and hanging panel links



- ⑥ Put through power supply

