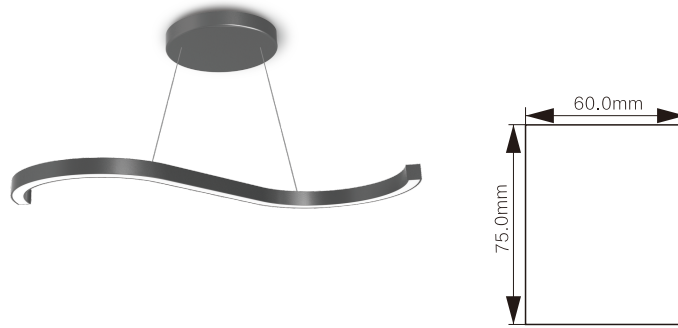


X-TRUSION

Model : **XT-ART-05**



Application

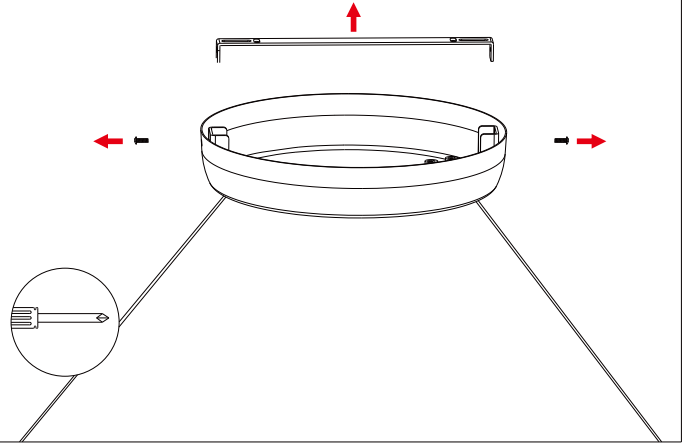


Product Information:

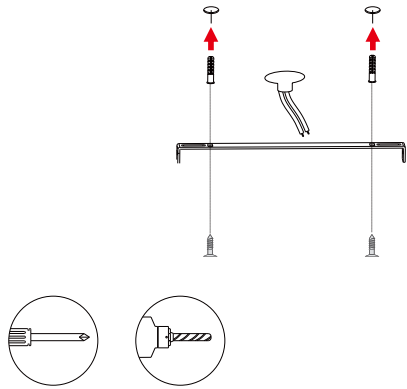
		Power/W	Lumens/lm	Electrical parameter	Optical parameter	Structure parameter
XT3235A-11	Ø0.5	23	1610	Input: AC 100-264V	CCT:3000K/4000K	Length tolerance : ±5%
	Ø1.0	45	3150	Frequency:50/60HZ	CRI: >80, >90	Section:32x35mm/60x75mm
XT6070A-11	Ø1.0	80	5600	Efficiency: >85%	Beam angle: 110°	Color: silver/black/white
	Ø2.0	160	11200	Power Factor:PF>0.9	Efficacy: 100lm/W	Housing Mat'l:PC/silicone opal flat diffuser, Aluminum housing
				Flicker: NO	SDCM≤6 (Overall)	Working Temp : -20-45°C
				Power certificate : CE,UL,SAA	Life time(L80 B10@25°C) : 50,000hs	Warranty :3Years
				IP Rating :Ip20	IK Rating: Ik05	Dimming: YES/NO (Optional)
					Protection class: class I	

① Break off the air switch

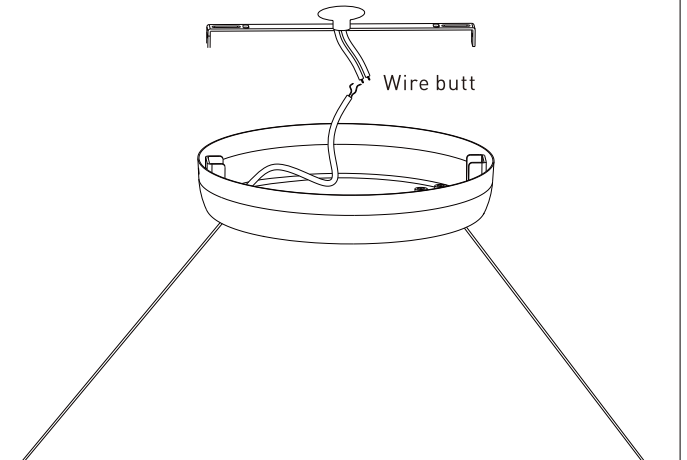
② Remove the ceiling panel



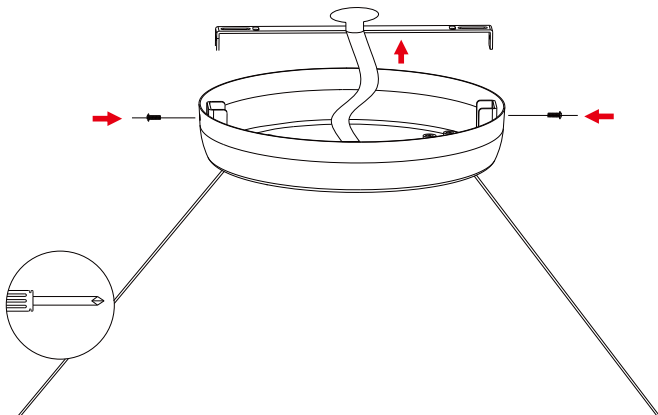
③ Drilling holes in the ceiling, fixing the plug, fixing the plate



④ The power input line links high voltage line, The contact is wrapped in an insulating tape, (Operate without power)



⑤ Suction top and hanging panel links



⑥ Put through power supply

